

# The Roof & Wall Master

## by Silo Cleaning Services

Part of the Union Track Group of Companies  
Patent Application No. 1010362.0

Does your business involve the storage of any material, cargo, fluid or even chemicals? Do your storage facilities include storage bins, silos, hoppers, static or mobile tankers, or even ship's hulls? If so, you need a **Roof & Wall Master**. For cost effectiveness these storage facilities will at some point require their surfaces cleaning to remove hard and soft build-ups blockages in and around feed systems, to improve efficiency and storage capacity.

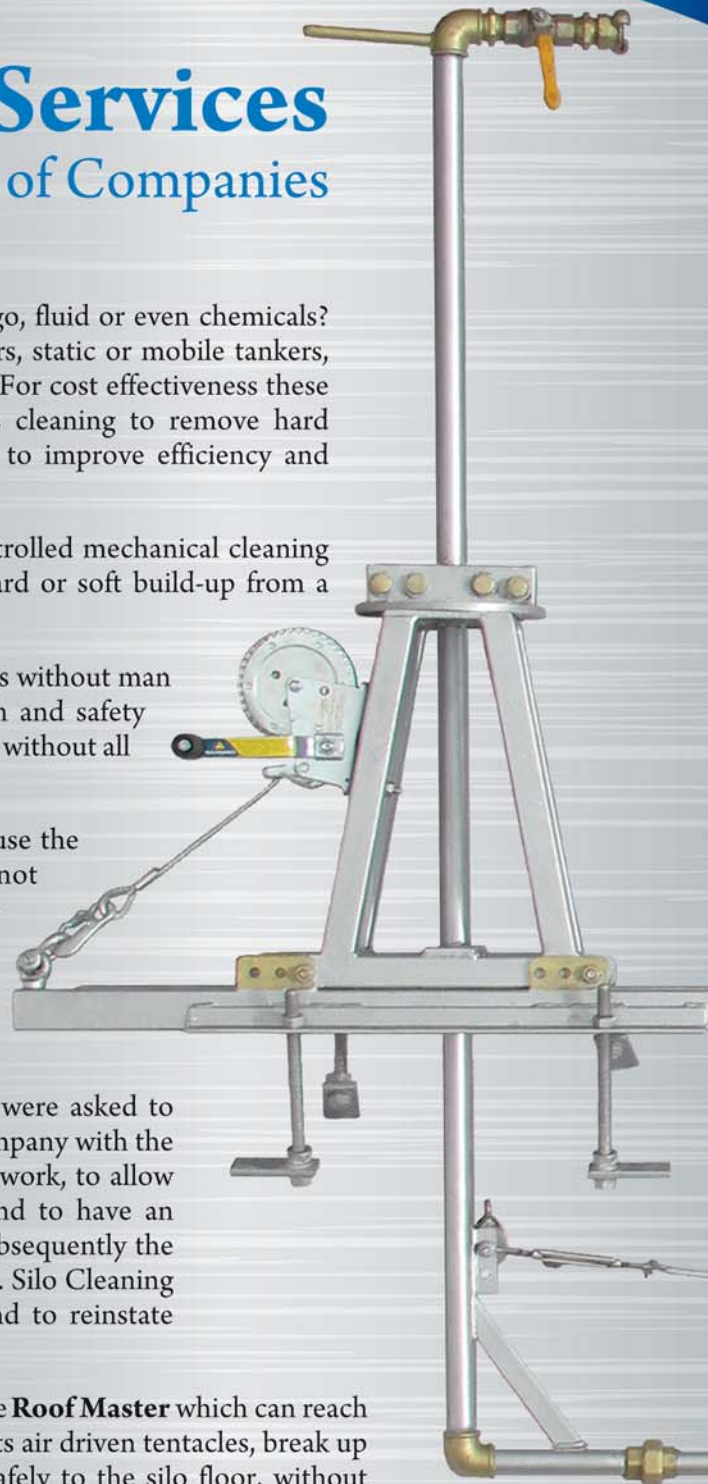
The patented **Roof & Wall Master** is the only remote controlled mechanical cleaning device in the world that can achieve this, removing any hard or soft build-up from a storage facility's roof and walls.

There is no other machine out there capable of achieving this without man entry - and this is strictly forbidden under stringent health and safety regulations. No person is allowed to enter any confined space without all surfaces being free from overhangs or loose materials.

In addition to the **Roof & Wall Master**, we ourselves also use the excellent gyro whip system - but even this device cannot reach the top 2.5 metres of the walls and roof. It could also undermine the product on walls after cleaning, leaving a ring of material on the top 2.5 metres and the roof, the highest part of the silo/bin or any other storage facility; this would be deemed unsafe for man entry.

Development of the **Roof & Wall Master** began after we were asked to clean a cement silo that had been cleaned out by another company with the aid of a gyro whip. However, on inspection of the cleaning work, to allow man entry to replace air slide canvases, the roof was found to have an approximate 3 ton hang-up in and around the feed pipe. Subsequently the silo had to be abandoned as unsafe for entry and mothballed. Silo Cleaning Services was approached to try and solve this problem and to reinstate the silo.

After many months of designing and testing we developed the **Roof Master** which can reach out the desired six metres to contact the build-up and, with its air driven tentacles, break up the build-up into small snowflake sized particles that fall safely to the silo floor, without damaging the silo internals, for later removal by vacuum tanker. The silo was passed safe for man entry allowing the company to reinstate the silo - saving literally millions of pounds in expensive rebuilding of the silo.



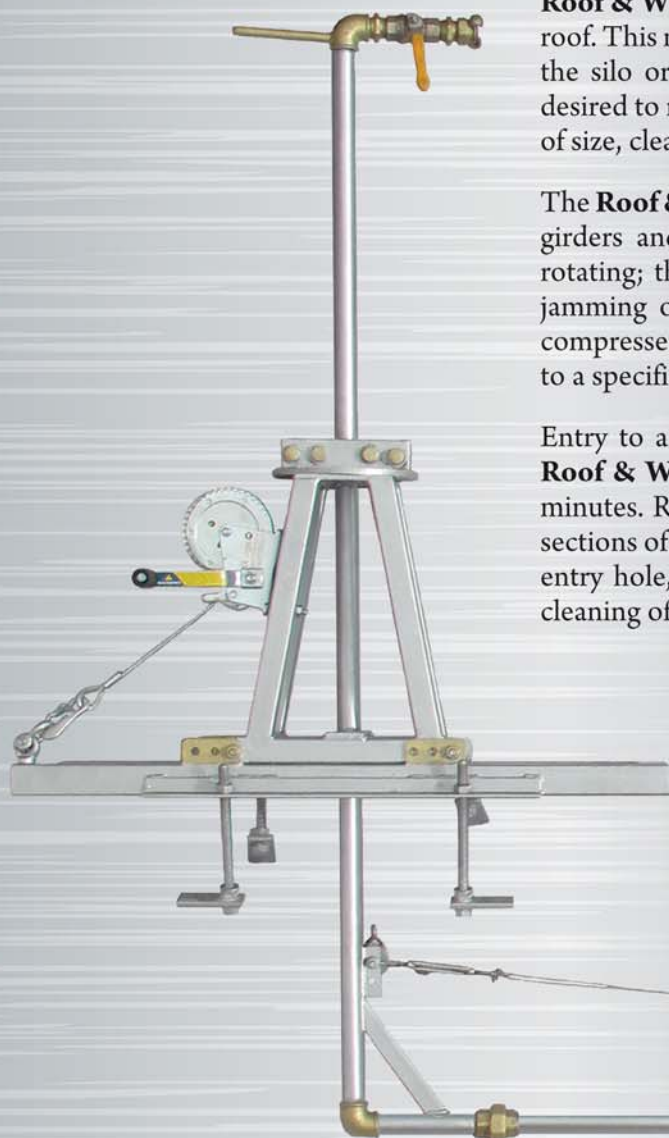


Since then we have gone on to improve the **Roof Master** to the **Roof & Wall Master** so as to be able to clean the walls as well as the roof. This not only removes the dangerous 2.5 metre ring from around the silo or vessel top, but allows us to add as many sections as is desired to reach down to the bottom of any storage facility, regardless of size, cleaning every millimetre of the walls.

The **Roof & Wall Master** has no difficulty cleaning in and around roof girders and supports, as the tentacles thrash the surfaces without rotating; this removes the build-ups without the fear of snagging or jamming on supports. It can operate using various power sources compressed air, fluids, even chemicals - whatever your requirements to a specific product removal.

Entry to any vessel only requires a 50-centimetre opening and the **Roof & Wall Master** can be assembled and in operation within 20 minutes. Regardless of diameter of any vessel we can add or remove sections of the boom reaching any distance required, right back to the entry hole, as the **Roof & Wall Master** is telescopic - ensuring the cleaning of every millimetre of the vessel.

We are also able to clean potentially explosive containers, as the tentacles are interchangeable from steel tips to brass or copper and even nylon, removing any sparking element.





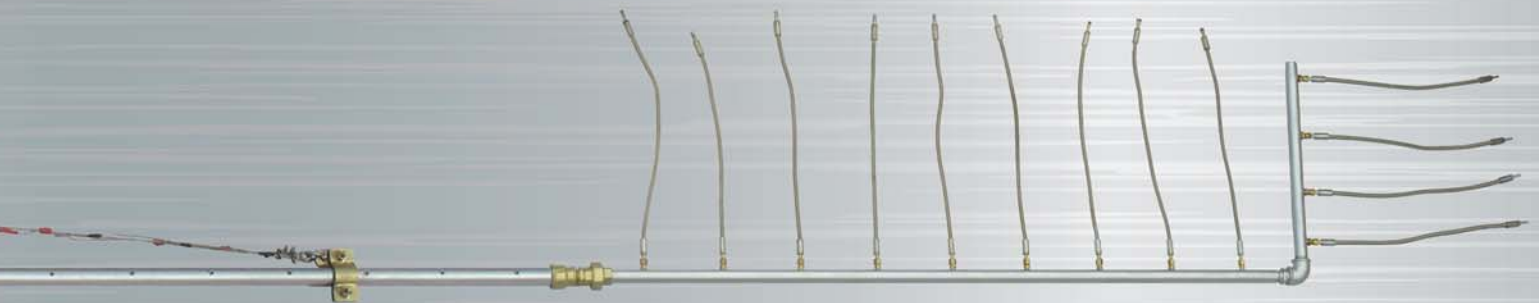
# The Roof & Wall Master

does the job right first time, on time,  
every time, but more importantly Safely!

The **Roof & Wall Master** was designed and manufactured by our Managing Director Russ Thomas with the aim to achieve an ultra clean and safe working environment within a confined space, regaining that all-important storage capacity and free flowing material.

## Suitable in all industries and has no parameters

- All Silos & Bins
- Steel
- Road and Rail Tankers
- Cement
- Chemical
- Flour
- Hoppers
- Farming
- Grain and Feeds
- Mining
- Pulp and Paper
- Shipping



(Actual size of the **Roof & Wall Master** shown above is 7 metres in length and 1 meter height).

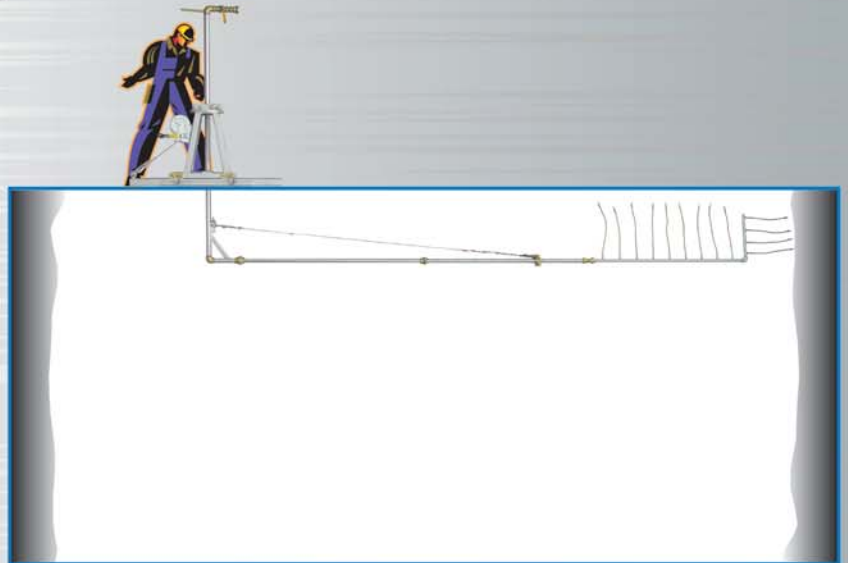
**The Roof & Wall Master** is light and portable, breaking down into 1.5 metre sections and even the main body of the machine can be handled easily by two operatives, removing the need for expensive lifting equipment such as cranes and hoists.

### PREVENTS

- **Man entry injury and fatality**
- **The high cost of blockages**
- **Vessel or container contamination and damage**
- **The loss of expensive storage capacity**
- **The use of scaffolding**

### YOUR BENEFITS

- **Safe**
- **Extremely cost effective**
- **Safe Man entry guaranteed**
- **Fast and easy to install**
- **Remote controlled**
- **Portable**
- **The only alternative**



For the safe and damage - free remote controlled cleaning of silos/bins, or any storage facility including ships hulls and mobile tankers, you require the **Roof & Wall Master** - the only remote controlled mechanical cleaning device in the world that can clean all surfaces. There is no other out there.

## Silo Cleaning Services

22, Osberton Street, Rawmarsh,  
Rotherham, South Yorkshire S62 5JW

Tel: 01709 719647

Fax: 01709 719310

Email: [russ.thomas@silocleaningservices.co.uk](mailto:russ.thomas@silocleaningservices.co.uk)

Web: [www.silocleaningservices.co.uk](http://www.silocleaningservices.co.uk)

Mobile: 07958 061130